
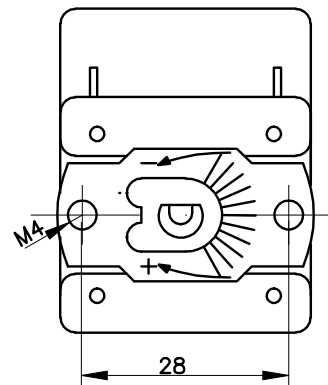


SP - DT
ELECTRIC DIAGRAM

APPROVALS 

CONNECTION TABS 1/4"
MIN CAPILLARY BENDING RADIUS 5 MM
LAY OUT TEMPERATURE IN LIQUID BATH
COPPER CAPILLARY AND BULB
TEMPERATURE RANGE : 0°C-90°C±4°C
DIFFERENTIAL : 4°C±2°C
INSULATION : II 



THERMOSTAT TU V DT 0-90°C

COMTHERM

c.a.e.m. s.r.l.

Via Rivera 106-108

10040 ALMESE (TO) ITALY



SCALA :

DATA : 01-04-2009

DIS. TACCA GIANLUCA

VISTO

SOSTITUISCE IL:

LP4501

DIS. N°

MATERIALE

FINITURA